

# AVVOLGITUBO AUTOMATICO

# SMALL

# AUTOMATIC HOSE REELS

TO.ME.S. OIL  
 SINCE 1977 Made in Italy ISO 9001:2008



Avvolgitubo automatico per olio resistente alle intemperie. Solido, compatto, con perdite di carico ridotte al minimo. Possibilità di arresto svolgimento del tubo ad ogni giro.



Oil Automatic Hose Reel, weatherproof. Solid, compact, minimum pressure loss. Hose-Stop at any turn possible.



OAVT0803



OAVT0800

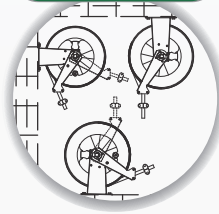
STEEL



PAINTED STEEL



MULTI POSITION



DEVICE HOSE GUIDE

DEVICE HOSE BUMPER

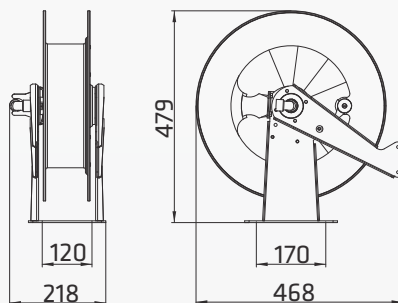
DEVICE HOSE STOP

UP TO 10 mt

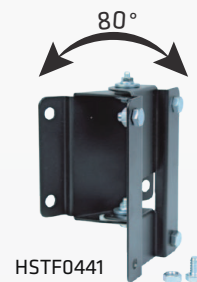
HOSE R1AT 160 bar

AUTOMATIC RETURN HOSE

DIMENSION (mm)



REVOLVING BRACKET



HSTF0441

name	hose including	mt   ft		hose max		bar max	IN	OUT	weight		packing		code
		mt	ft	mt	ft				kg	lbs	cm	inch	
SMALL	NO			3/8"	10   32,8	80	3/8" F BSP	3/8" M BSP	12,0	26,5	46 x 46 x 27	18,1 x 18,1 x 10,6	OAVT0800
	3/8"	10	32,8			80	3/8" F BSP	3/8" M BSP	15,2	33,5	46 x 46 x 27	18,1 x 18,1 x 10,6	OAVT0803