

TO.ME.S. DIESEL
SINCE 1977 Made in Italy ISO 9001:2008



Kit per diesel con piastra, da installare sul serbatoio o sulla parete.



Kit for diesel with plate, to be installed on the tank or on the wall.



DSPL0016



DSPL0368



SCHUKO 1,8 mt



ALSO FOR U.S.A. PLUG

EASY CONNECTION



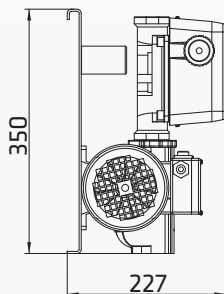
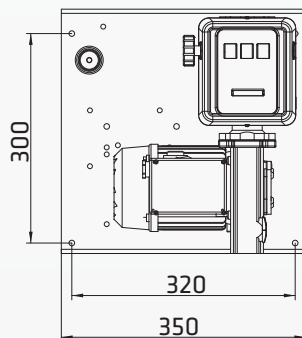
NOZZLE HOLDER



PAINTED STEEL



DIMENSION (mm)



ACCESSORIES

some accessories suitable

FLANGE



HCLL0037

SUCTION HOSE



DTUB0783 2,5m
DTUB0784 4m

NOZZLE



DPST0043 60lpm
DPST0044 80lpm

FILTER



HFLR0105 impurities
HFLR0642 impurities and water

DELIVERY HOSE



DTUB0770 4m 19x27mm
DTUB0781 4m 25x35mm

name	flow rate		volts	hp	watt	amperè max	meter type	IN	OUT	weight		packing		code
	LPM	GPM								kg	lbs	cm	inch	
PLATE AC	56	14,8	230	0,5	373	3	mechanical	1" F BSP	1" F BSP	14	30,9	40 x 40 x 30	15,7x15,7x11,8	DSPL0016
	56	14,8	230	0,5	373	3	digital	1" F BSP	1" F BSP	14	30,9	40 x 40 x 30	15,7x15,7x11,8	DSPL0366
	83	21,9	230	1	746	5,6	mechanical	1" F BSP	1" F BSP	14	30,9	40 x 40 x 30	15,7x15,7x11,8	DSPL0367
	83	21,9	230	1	746	5,6	digital	1" F BSP	1" F BSP	14	30,9	40 x 40 x 30	15,7x15,7x11,8	DSPL0368