

TO.ME.S. DIESEL  
 SINCE 1977 Made in Italy ISO 9001:2008



Kit per diesel con piastra di protezione, da installare sul serbatoio o sulla parete.

Kit for diesel with protection plate, to be installed on the tank or on the wall.



TVD



TVM



SCHUKO 1,8 mt



ALSO FOR U.S.A. PLUG

EASY CONNECTION



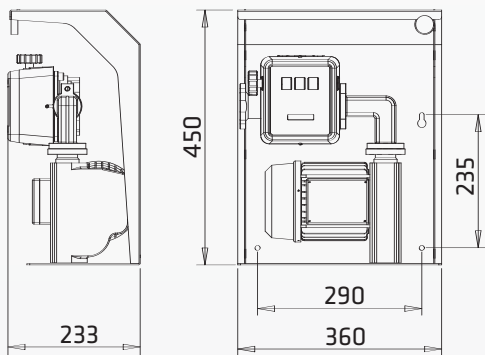
NOZZLE HOLDER



PAINTED STEEL



DIMENSION (mm)



ACCESSORIES

some accessories suitable

FLANGE



HCLL0037

SUCTION HOSE



DTUB0783 2,5m  
DTUB0784 4m

NOZZLE



DPST0043 60lpm  
DPST0044 80lpm

FILTER



HFLR0105 impurities  
HFLR0642 impurities and water

DELIVERY HOSE



DTUB0770 4m 19x27mm  
DTUB0781 4m 25x35mm

name	flow rate		volts	hp   watt		amperè max	meter type	IN	OUT	weight		packing		code
	LPM	GPM		kg	lbs					cm	inch			
TVM	56	14,8	230	0,5	373	3	mechanical	1" F BSP	1" F BSP	15,5	34,2	40 x 40 x 30	15,7x15,7x11,8	DSST0861
	83	21,9	230	0,75	559	5	mechanical	1" F BSP	1" F BSP	15,5	34,2	40 x 40 x 30	15,7x15,7x11,8	DSST0012
TVD	56	14,8	230	0,5	373	3	digital	1" F BSP	1" F BSP	15,5	34,2	40 x 40 x 30	15,7x15,7x11,8	DSST0862
	83	21,9	230	0,75	559	5	digital	1" F BSP	1" F BSP	15,5	34,2	40 x 40 x 30	15,7x15,7x11,8	DSST0013