

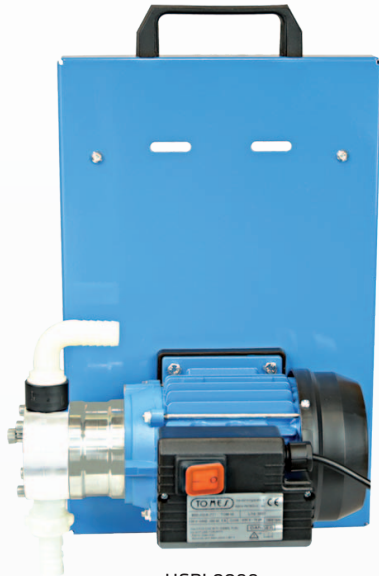
TO.ME.S. AD-BLUE

SINCE 1977 Made in Italy ISO 9001:2008



Kit per l'erogazione dell'ad-blue da installare a parete o sulla tanica.

Kit for the disbursement of the ad-blue wall-mounted or on the tank.



USPL0088



USPL0089



40 LPM



CMP AC 35

FLOW METER



only into USPL0089

MANUAL NOZZLE



PAINTED STEEL

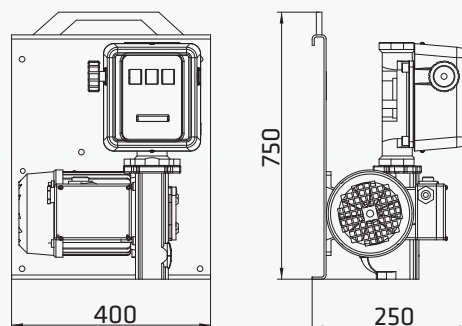


UPIT0010

ADAPTER TANK



DIMENSION (mm)



name	flow rate		volts	hp   watt		amperè max	suction hose	flow meter	delivery hose	nozzle	weight		packing		code
	LPM	GPM		kg	lbs						cm	inch			
PLATE AC	35	9,2	230	0,5	373	2	19x29 1mt		19x29 5mt	X	14	30,9	26 x 41 x 76	10,2 x 16 x 30	USPL0088
	35	9,2	230	0,5	373	2	19x29 1mt	X	19x29 5mt	X	15,5	34,2	26 x 41 x 76	10,2 x 16 x 30	USPL0089